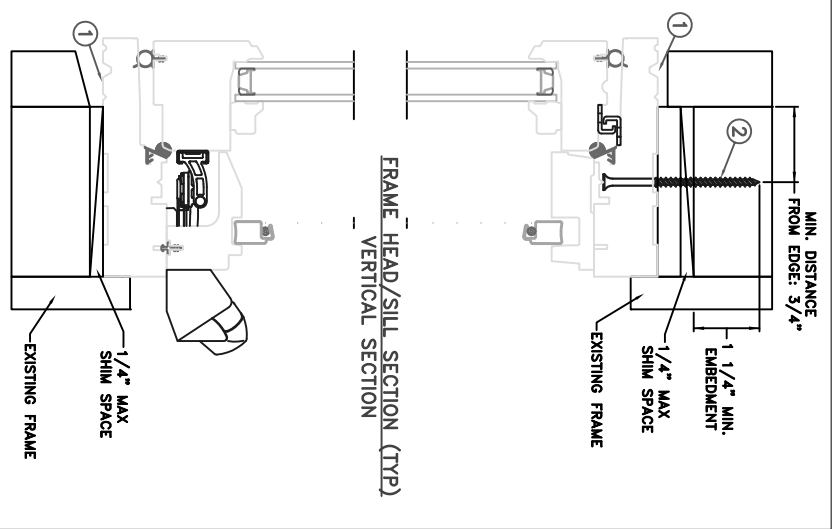
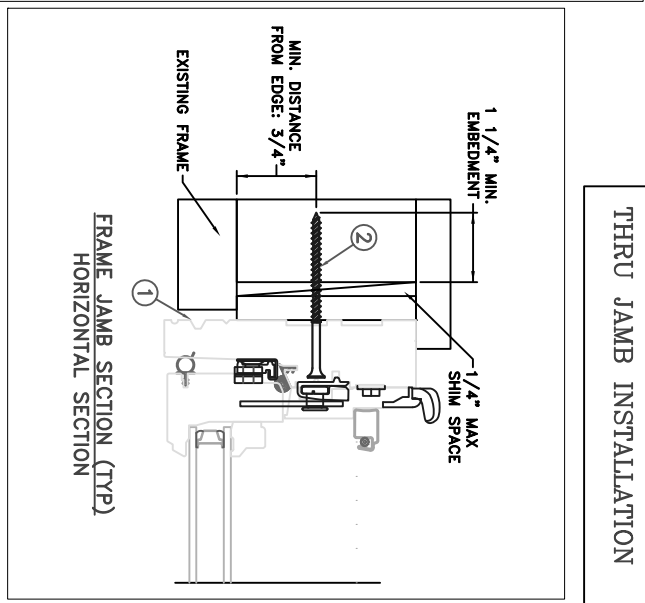


TYPICAL ELEVATION WITH FASTENER SPACING



FRAME HEAD/SILL SECTION (TYP)  
VERTICAL SECTION



THRU JAMB INSTALLATION

OPERATING POCKET AWNING WINDOW			
Max Frame	DP	IMPACT	
60-7/8 x 48-7/16	+/-35	NO	

**General Notes:**

1. The product shown herein is designed, tested and manufactured to comply with the wind load criteria of the adopted International Building Code (IBC), the International Residential Code (IRC), the Florida Building Code (FBC) and the industry standard requirement for the stated conditions.
2. Buck, framing and masonry by others and is responsibility of architect or engineer of record.
3. All glazing shall conform to ASTM E1300.
4. At minimum, glazing shall be double strength annealed insulating glass.

**Installed Fastener Schedule:**

1. Seal flange/frame to substrate.
2. Use #8 PH or greater fasteners through frame with sufficient length to penetrate a minimum of 1 1/4" into the wood framing. For 2X wood frame substrate (min. S.G. = 0.42).

This schedule addresses only the fasteners required to anchor the window to achieve the rated design pressure and impact performance (where applicable) up to the size limitations noted. It is not intended as a guide to the installation process and does not address he sealing consideration that may arise in different wall conditions. For the complete installation procedure, see the instructions packaged with the window or go to [www.jeld-wen.com](http://www.jeld-wen.com).

**DISCLAIMER:**

This drawing and its contents are confidential and are not to be reproduced or copied in whole or in part or used or disclosed to others except as authorized by JELD-WEN Inc.

PROJECT ENGINEER: --	DATE: 02/10/2015	<p align="center"><b>JELD-WEN</b></p> <p align="center">3737 Lakeport Blvd Klamath Falls, OR, 97601 Phone: (541) 882-3451</p>	
DRAWN BY: D. Vezo	SCALE: NTS		
CHECKED BY: D. Stokes	TITLE: Custom Wood Pocket Awning Operator		
APPROVED BY: --		PLANT NAME AND LOCATION: Bend, Oregon	CAD DWG. No.:
PART/PROJECT No.:		REV.:	SHEET
IDENTIFIER No.:		00	